

PIEZORESISTIVE PRESSURE TRANSMITTERS

SERIES 21 G

FOR INDUSTRIAL APPLICATIONS

- Weighing only 30 grams, the smallest known transmitter with fully welded stainless steel wetted parts
- High EMC protection. Protection class IP65/IP67
- Highest stability due to special heat treatment and annealing procedures

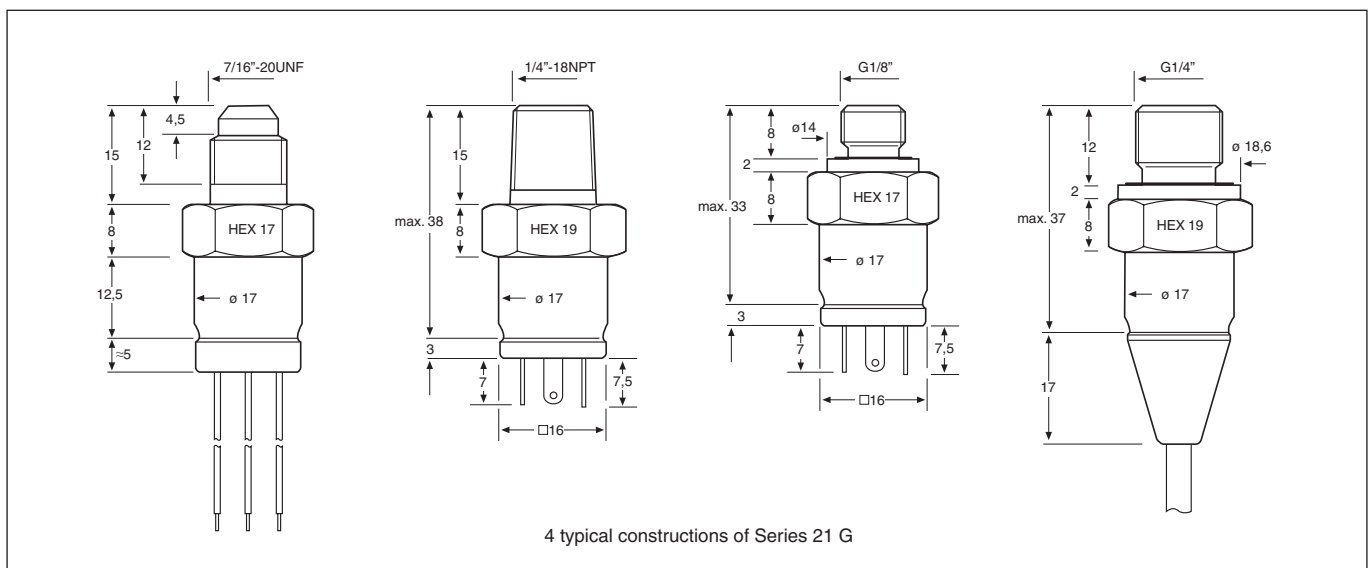
Series 21G, is the result of a 20 year long development programme for industrial transmitters. 'G' stands for 'Graduate'; this product has received 'summa cum laude'.... the highest honours. The standard mPm electrical connector overlaps the body to remind us of 'mortar board hats' on graduation day.

The Series 21G combines KELLER's 30 year long experience of manufacturing industrial pressure transmitters, with all of the newest technological advantages available in the industry today. This product incorporates the very latest techniques for welding, signal processing and circuitry, automated compensation and adjustment. Each transmitter is subjected to temperature and pressure cycles during manufacture. The laser trimming final adjustment gives unrivalled accuracies over a wide temperature range. The result is a cost-effective affordable transmitter that has a specification better than other similarly priced products, and equal to many very expensive transmitters.

The body size is determined by the thread selected, 17 mm HEX for G1/8", 1/8"-27NPT and 7/16"-20 UNF, and 19 mm HEX for the G1/4" thread and 1/4"-18NPT".

The Series 21G is an OEM product, designed specifically to be built and sold in thousands only. Alternative customer specific threads, pressure ports, electrical connections and electrical outputs can be readily accommodated at little or no extra cost. The pressure ranges and temperature compensation can be adapted to suit particular applications. The following guidelines give an overview of the typical performance of the 4 most commonly used temperature ranges.

Types	Absolute or sealed gauge	
Pressure Ranges	Min: 0...5 bar	Max: 0... 200 bar
Electrical Configuration	2-wire	3-wire
Output	4...20 mA	0,5...4,5 V ratiometric
Excitation	8...28 V	5 V
Linearity (BFSL)	typ. 0,25 %FS	max. 0,5 %FS
Error Band	0...50 °C	typ. 1,0 %FS
	-40...20 °C / 20...80 °C	typ. 1,0 %FS
	-20...80 °C	typ. 1,5 %FS
	-40...135 °C	typ. 2,0 %FS



Subject to alterations

09/05

KELLER AG für Druckmesstechnik
KELLER Ges. für Druckmesstechnik mbH

St. Gallerstrasse 119
Schwarzwaldstrasse 17

CH-8404 Winterthur
D-79798 Jestetten

Tel. +41 (0)52 - 235 25 25
Tel. +49 (0)7745 - 9214 - 0

Fax +41 (0)52 - 235 25 00
Fax +49 (0)7745 - 9214 - 60